



# QuickField 6.0

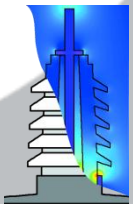
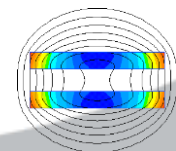
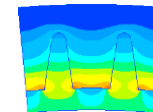
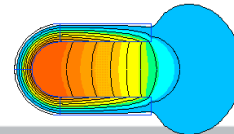
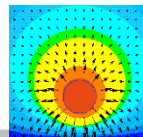
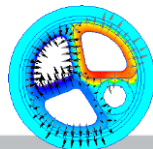
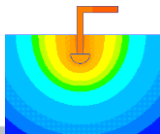
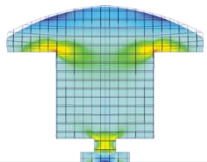


© Tera Analysis Ltd.



# QuickField Solvers

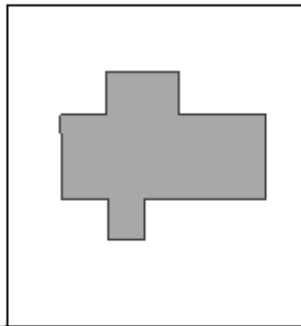
Magnetic Solvers	
Magnetic modules	DC magnetics
	Time-harmonic magnetics
	Transient magnetics
Electric Solvers	
Electric modules	Electrostatics
	DC / AC Conduction
	Transient electric analysis
Thermal Solvers	
Thermal modules	Steady state heat transfer
	Transient heat transfer
	Stress analysis



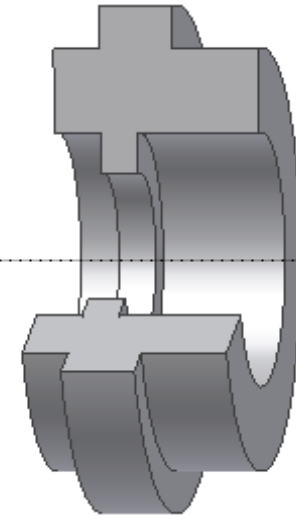
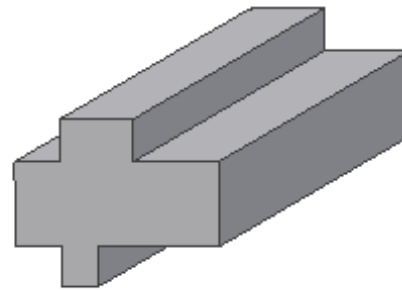


# QuickField 2D

Model



Real object



plane-parallel

axisymmetric



# QuickField 3D

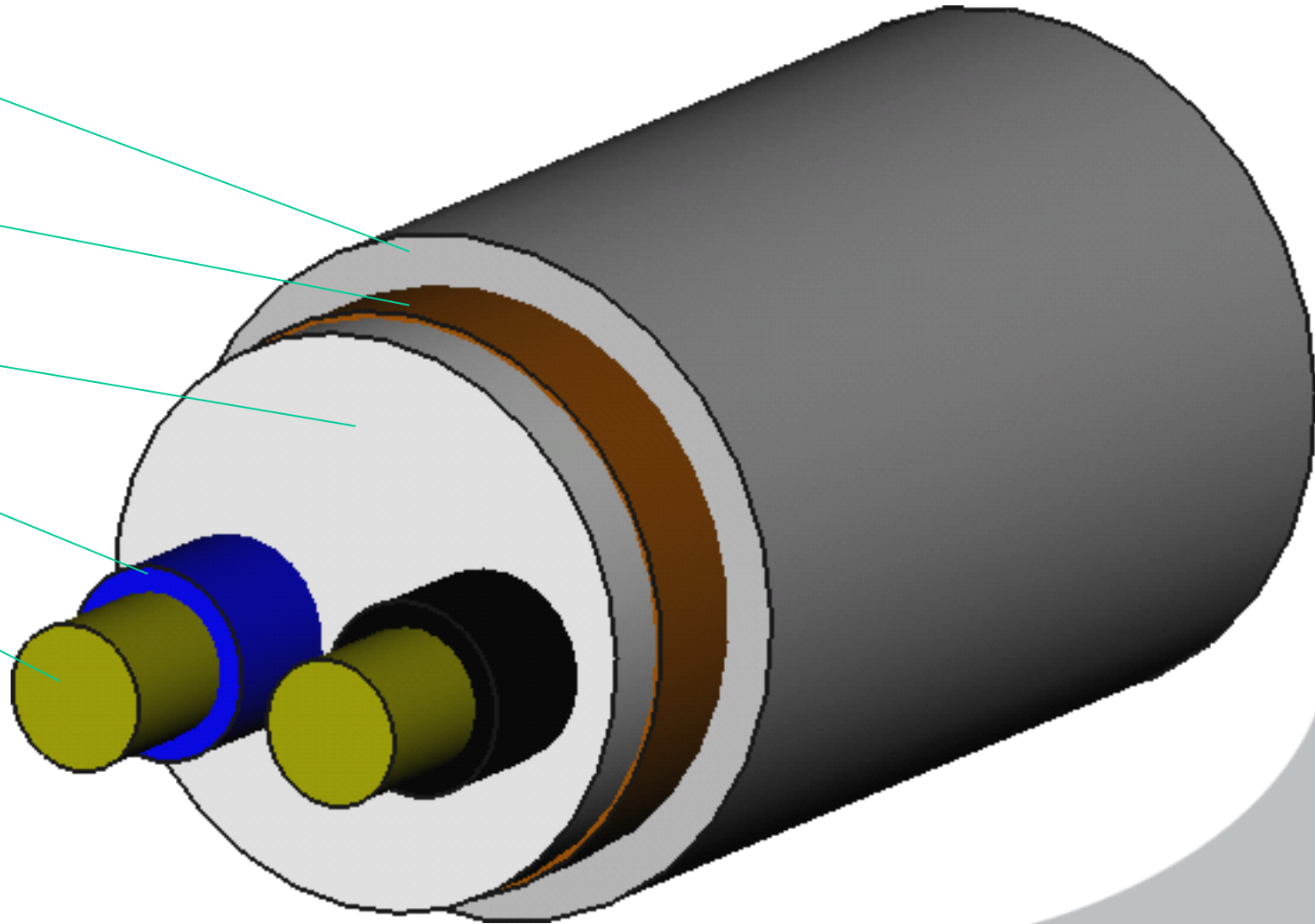
Sheath

Screen

Filler

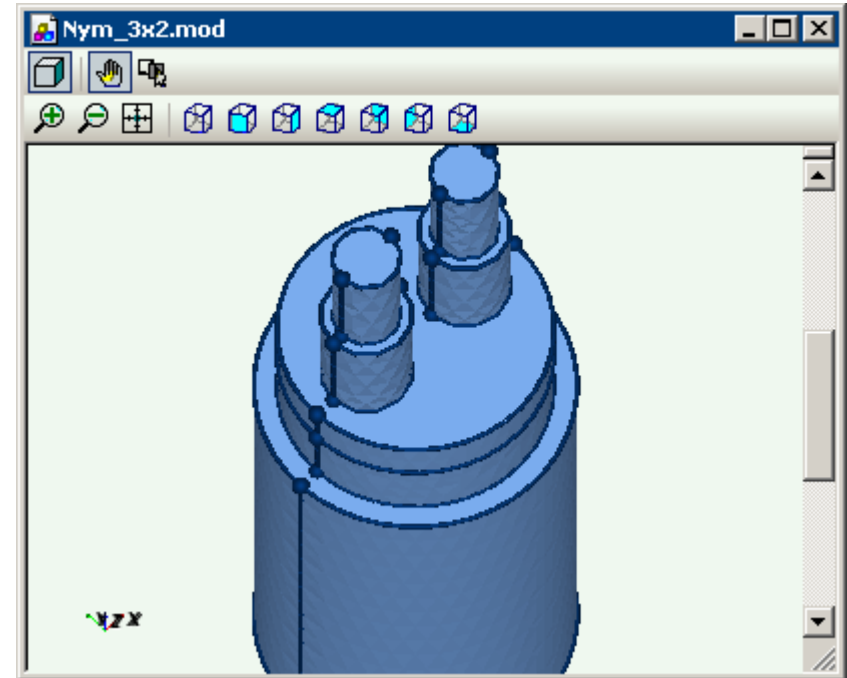
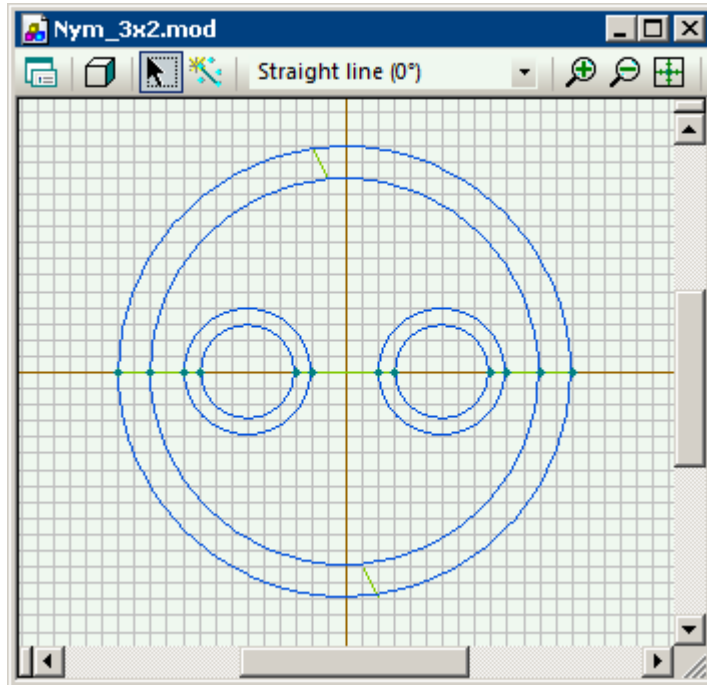
Insulation

Conductor



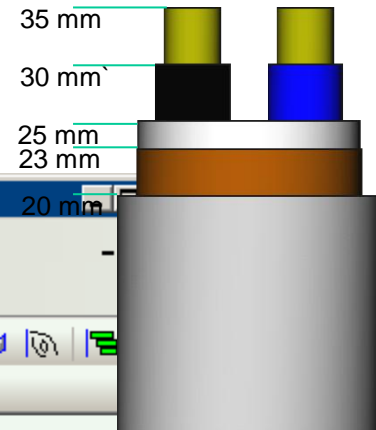


# QuickField 3D





# QuickField 3D



QuickField - [cable\_.pbm:2]

File Edit View Problem Tools Window Help

cable\_.pbm

- cable\_.pbm - electrostatics problem
  - Geometry: cable\_.mod
  - Data: cable\_.des
    - Block Labels
    - Edge Labels
    - Vertex Labels
  - Library Data: <none>
  - Links: No links

Blocks

- Block
  - air
  - conductor
  - filler
  - insulation
  - sheath

Properties for cable\_.pbm

General

Problem Type	Electrostatics
Model Class	3D extrusion
Precision	Normal
Geometry	cable_.mod
Data	cable_.des
Library Data	

Coordinates

Length Unit	Meters
Coordinates	Cartesian

U

Blocks Local ... Settings

cable\_.mod cable\_.pbm:2

For Help, press F1

-0.1350 m, 0.0700 m