

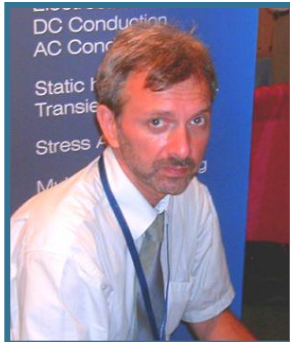


Contents and Speakers



Olga Ilina,
Marketing Manager, Tera Analysis Ltd.

QuickField overview



Vladimir Podnos,
Director of Marketing and Support,
Tera Analysis Ltd.

QuickField licensing and upgrades



Alexander Lyubimtsev
Support Engineer, Tera Analysis Ltd.

What's new in QuickField 5.8



Contents and Speakers

- QuickField Overview
- What's new in QuickField 5.8
- Technical Questions
- QuickField Licensing
- Terms of Update and **Special Offer**
- User Support Resources
- Questions and Answers



QuickField Overview



Olga Ilina,
Marketing Manager, Tera Analysis Ltd.

QuickField overview



QuickField Analysis Options

Magnetic Suite

AC Magnetics

Transient + DC Magnetics

DC Magnetics

Electric Suite

AC conduction + Electrostatics & DC conduction

Transient Electric + Electrostatics & DC conduction

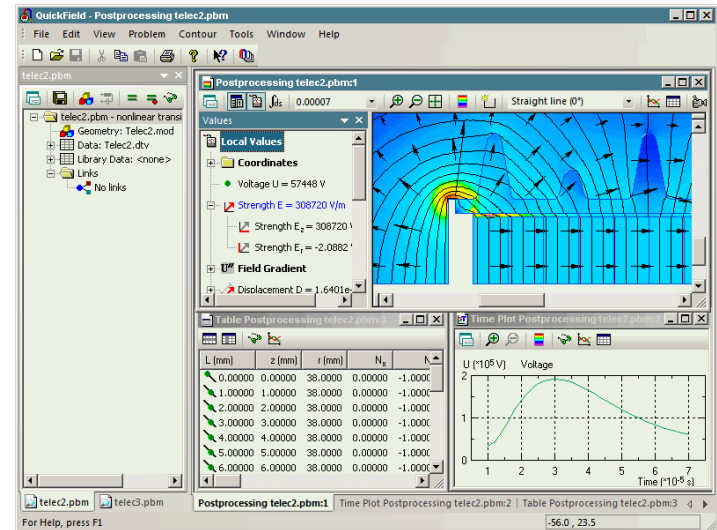
Electrostatics & DC conduction

Thermostructural Suite

Stress Analysis

Transient Heat transfer

Steady State Heat transfer



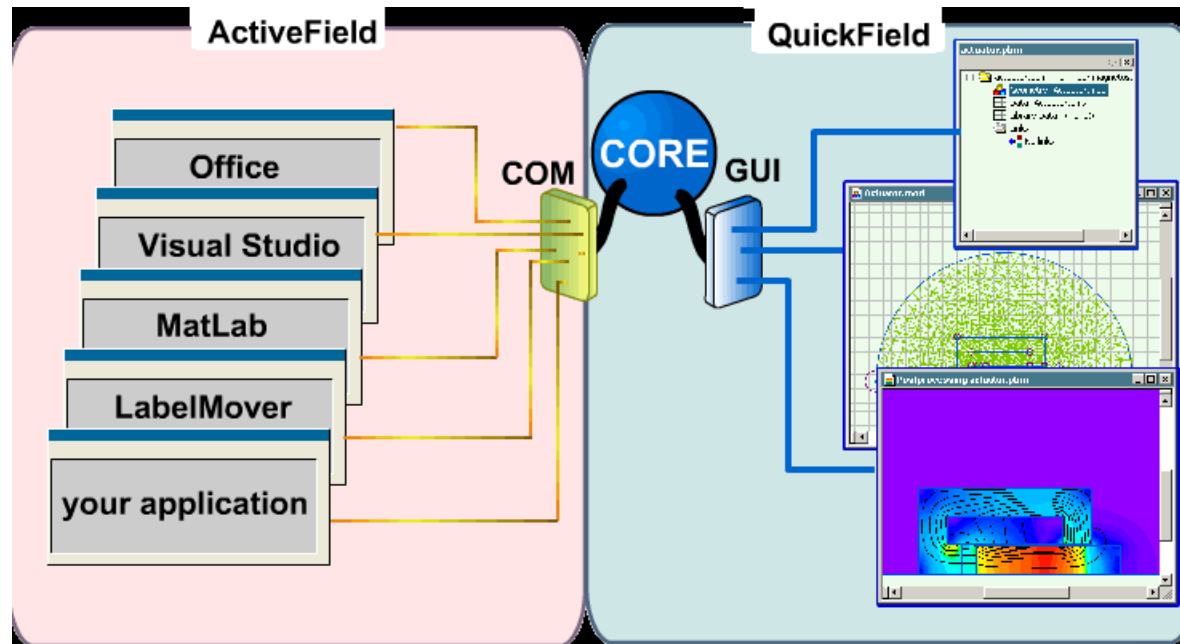


More....

- Multiphysical coupling between different types of problems
- Serial, optimization and tolerance analysis with LabelMover
- Interaction with other Windows applications using ActiveField application programming interface

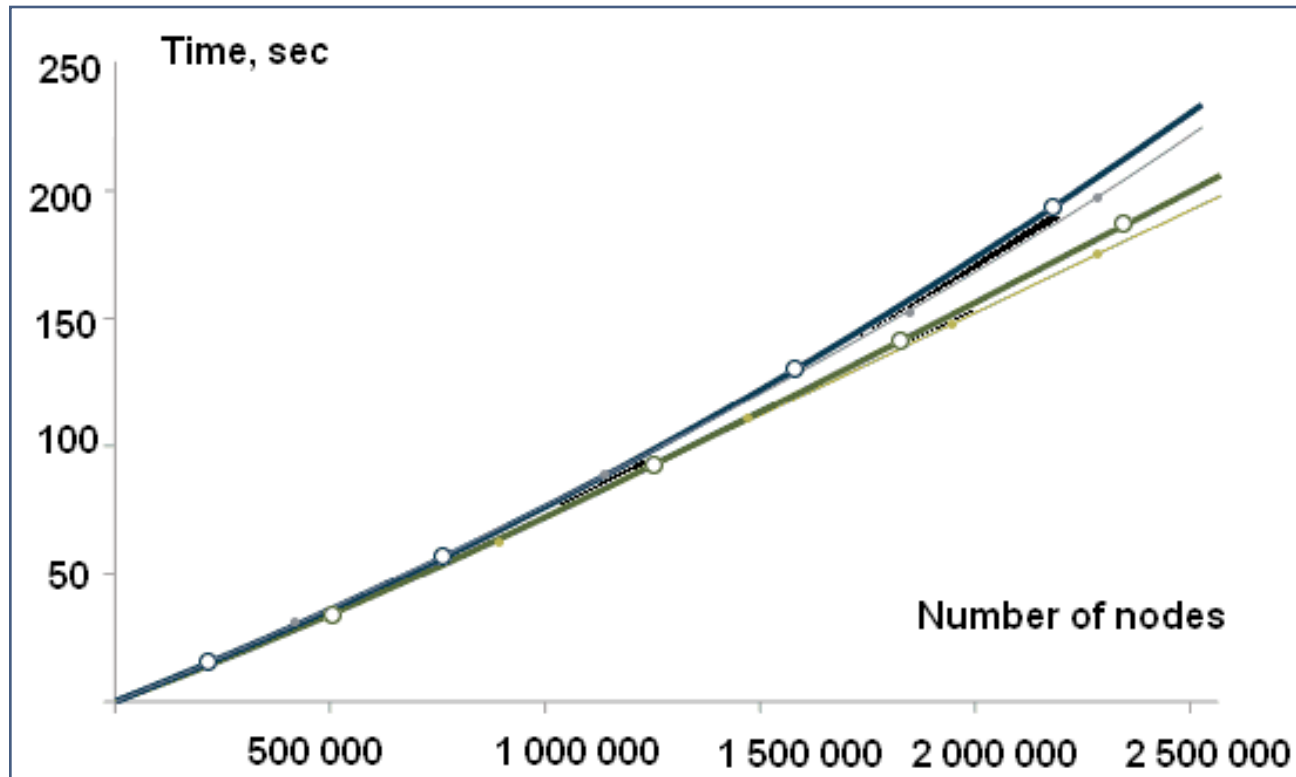


What is ActiveField





Solution times for various type of finite-element mesh



Non-uniform mesh:	AMD Athlon 64 X2 Dual Core 4200+ 2.26GHz
	Intel Pentium Dual Core E2160 1.80GHz
Uniform mesh:	AMD Athlon 64 X2 Dual Core 4200+ 2.26GHz
	Intel Pentium Dual Core E2160 1.80GHz



QuickField applications

Actuators, Biological tissues, Cables, Capacitors
Electrical Machines, Electrodes, Electron-Ion optics,
High-Voltage applications, Electro-thermal and
induction heating applications, Insulators, Magnetic
Systems, Mechanical Devices, Sensors, Speakers,
Superconductors, Thermal models, Transformers,
Transmission lines.....



QuickField Difference





What's new in QuickField 5.8



Alexander Lyubimtsev,
Support Engineer, Tera Analysis Ltd.

What's new in QuickField 5.8

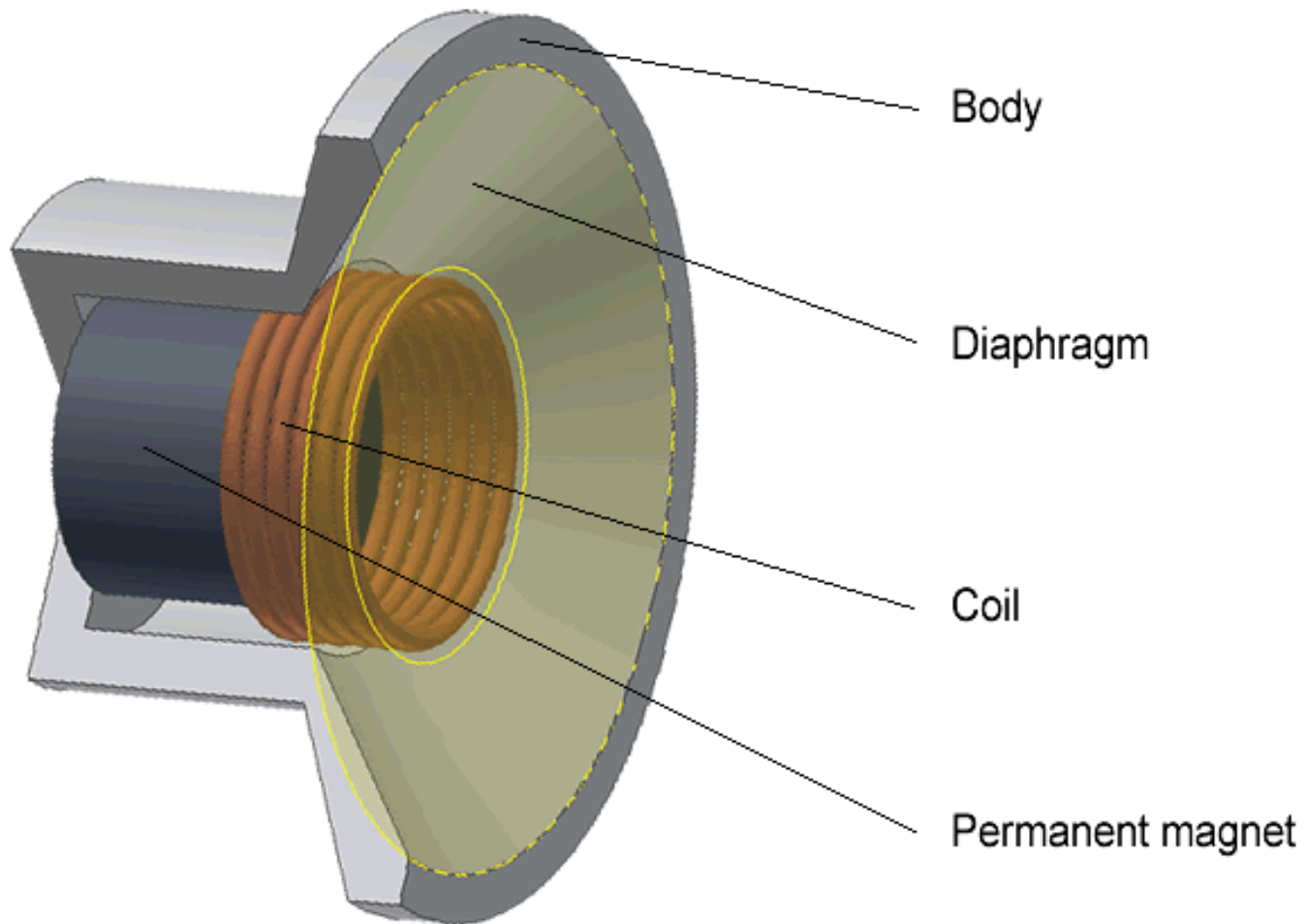


What's new in QuickField 5.8

- Magnetic state import
- Multithreading in LabelMover
- Model properties window
- Installation program

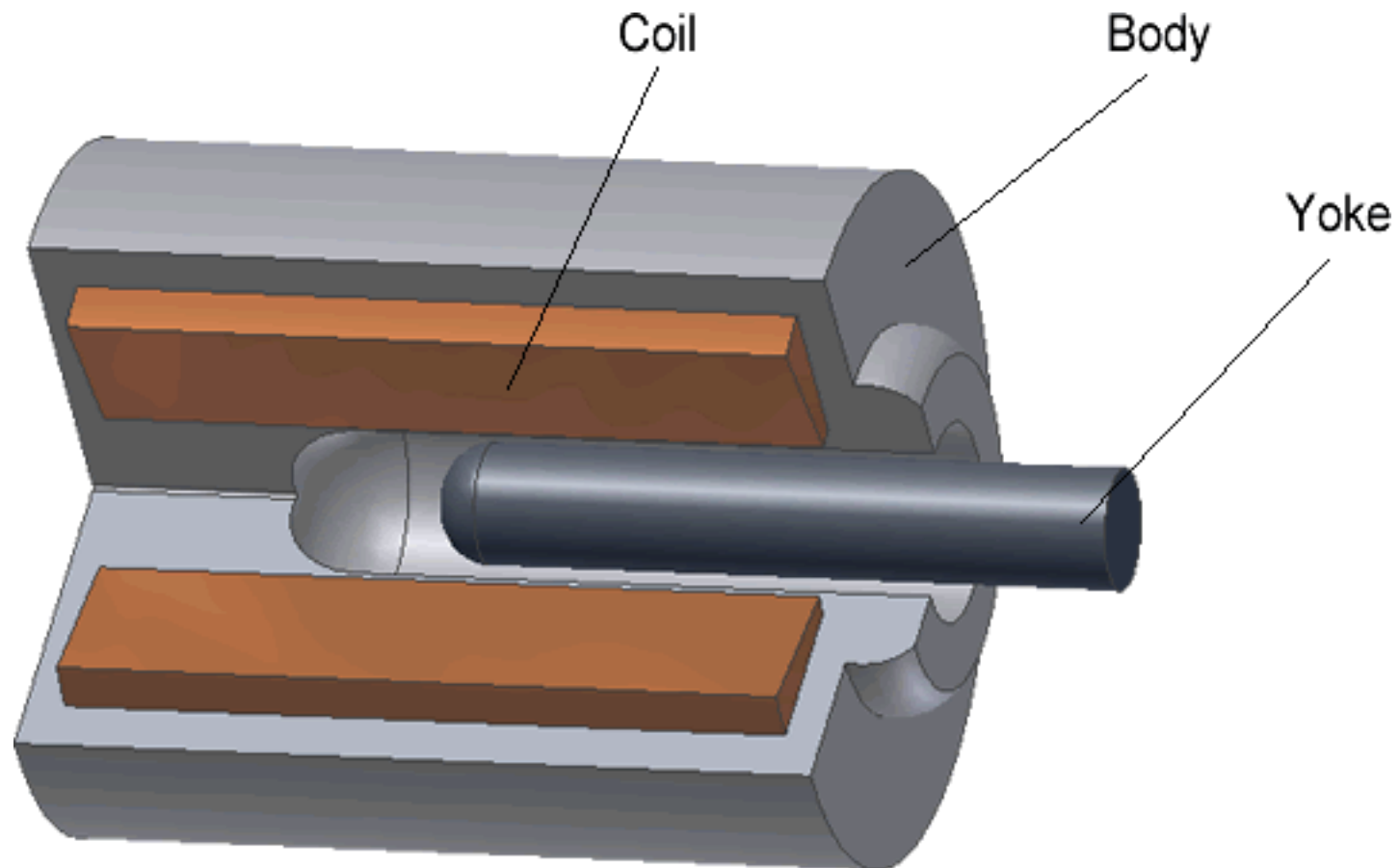


Magnetic state import



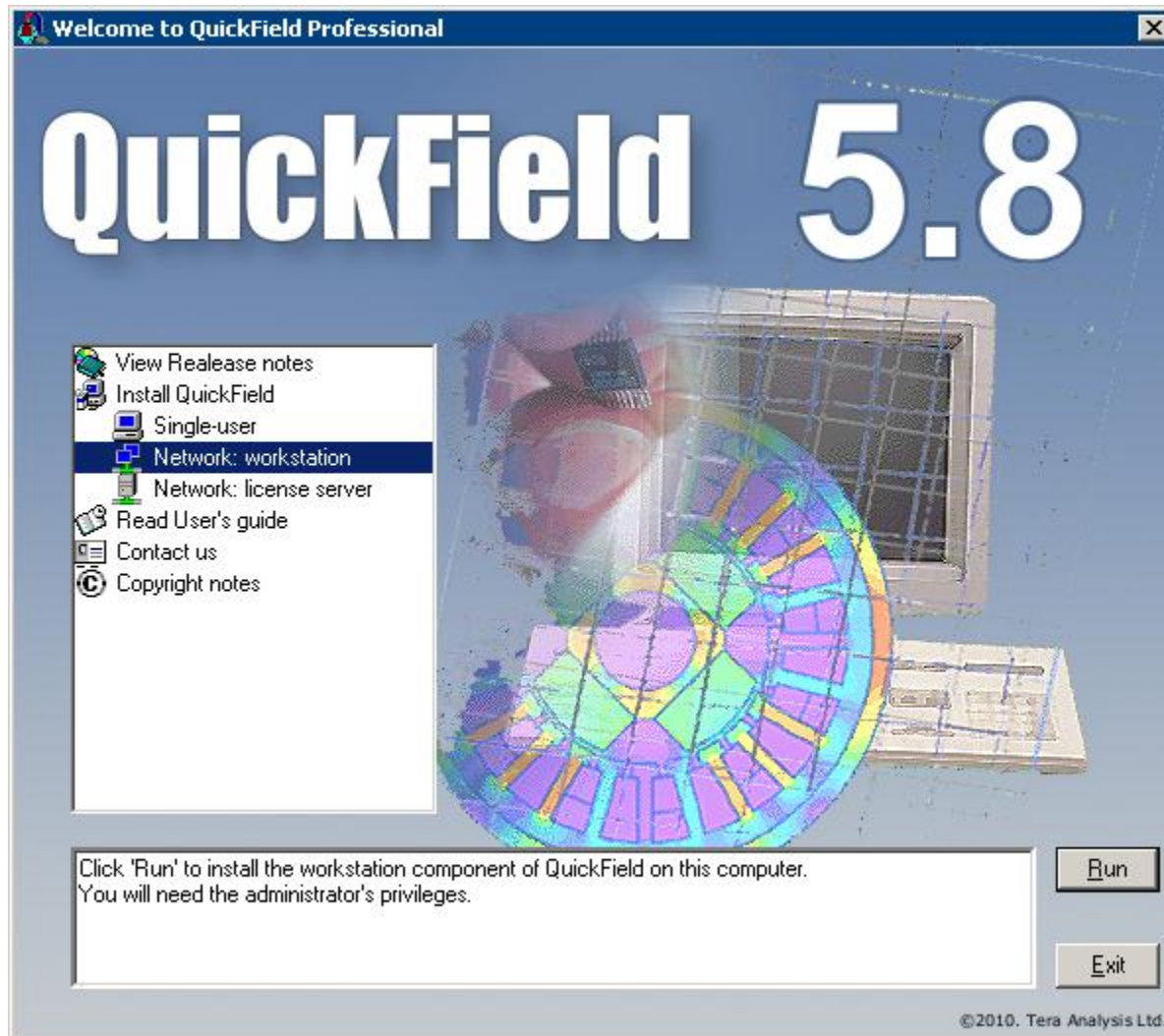


Multithreading in LabelMover





Installation program





QuickField Licensing, Upgrade and Resources



Vladimir Podnos,
Director of Marketing and Support,
Tera Analysis Ltd.

QuickField licensing and upgrades



Types of licenses

- Free Student's version – mesh limit 250 nodes
- One-year Lite Academic Site license
(up to 4000 nodes, any number of concurrent sessions)
- Permanent Professional Commercial license
(single-user or floating network license with agreed number of seats)
- Permanent Professional Academic license
(single-user or floating network license with agreed number of seats)
- One-year Professional Academic license
(single-user or floating network license with agreed number of seats)



How to order

- Direct sales through Danish headquarters or American office: www.quickfield.com/order
- Sales through international reseller network: www.quickfield.com/reseller.htm



China: CnTech Co.,Ltd

Czech Republic, Slovak Republic, Poland: Energy Consulting Service, s.r.o.

France: OCSIMIZE

Germany: Heuß Software

Greece: Enia SA

India:NI LOGIC Pvt. Ltd.

Japan: Structural Science Institute Inc.,

Korea:Techsys Co.

South Africa: Walmet Technologies (Pty) Ltd.

Spain: CAEsoft Consulting S.L.

United Kingdom: Temati



How to keep the version current

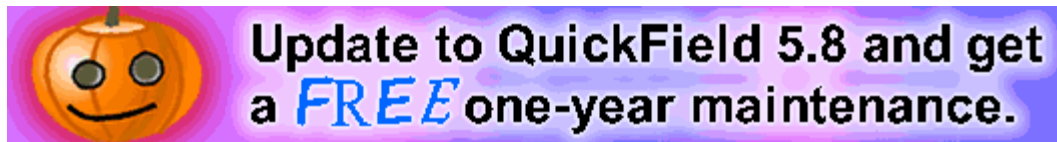
Regular terms

- One-time update costs 30 %
- 12 months maintenance with free updates costs 20 %
(available for latest version only)
- All new orders go with 3 month maintenance included



How to keep the version current

Special terms till the end of 2010



One-time update costs 30 % and includes free one-year maintenance with free updates



Where to get information

- QuickField website
 - ✓ Virtual Classroom
 - ✓ Recorded webinars
 - ✓ QuickField Forum
 - ✓ Publications
- Social networks
 - ✓ Twitter: QuickField Support
- YouTube
 - ✓ QuickFieldSupport channel
- QuickField news subscription